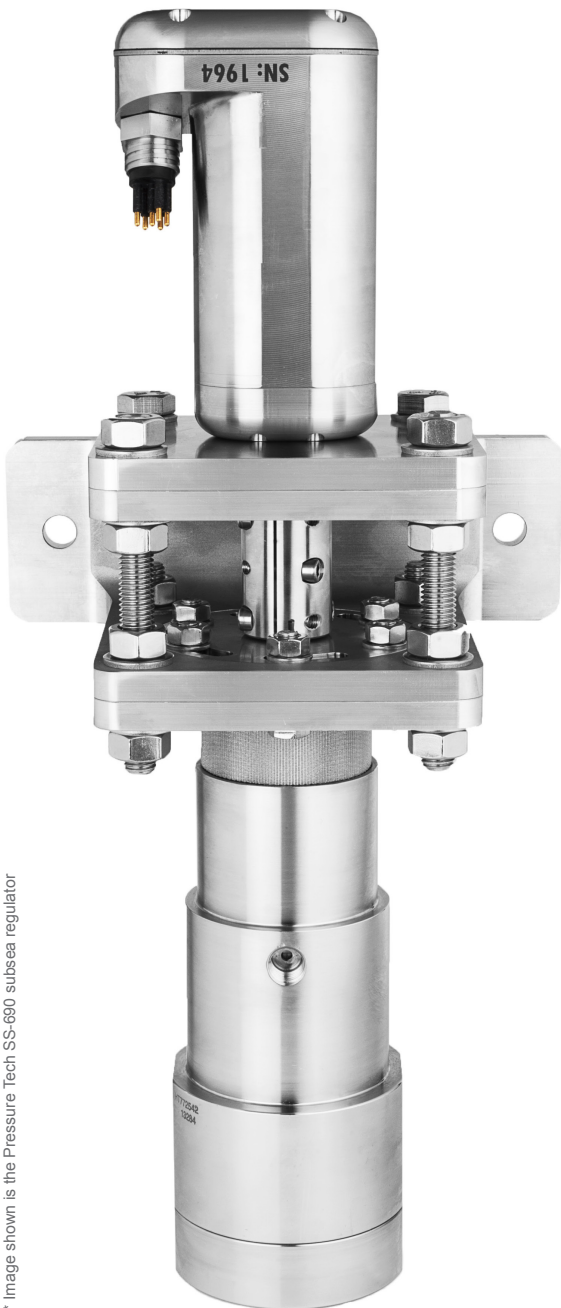


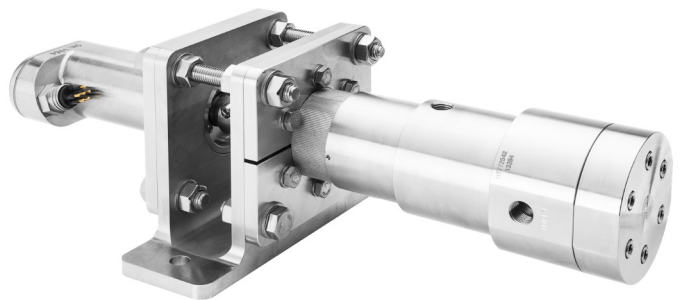
NEW: Subsea Electric Actuated Pressure Regulators



* Image shown is the Pressure Tech SS-690 subsea regulator

Making Waves in the Remote Regulator Control Market!

Pressure Tech is proud to announce the release of its new compact electric actuator, designed to serve the subsea market or where the application would benefit from remote access.



ELECTRIC ACTUATOR TECHNICAL SPECIFICATION

Designed for use on all Pressure Tech subsea regulators

Fully closed loop servo motion system for controlled precision

Brushless 24V DC motor

Operates at depths of up to 3,000M (10,000FT)

Operates at temperatures from -20°C to 65°C (-4°F to 149°F)

RS232, RS485 and analogue

Also ideal for topside applications on unmanned platforms

For more information or to place an order, please call Pressure Tech on +44 (0)1457 899 307 or send an email to sales@pressure-tech.com.



DESIGNED AND BUILT IN THE UK



Unit 24, Graphite Way, Hadfield,
Glossop, Derbyshire, UK, SK13 1QH
T +44 (0)1457 899 307
E info@pressure-tech.com
W www.pressure-tech.com